



# COUNTERTOP DOUGH SHEETER



**Dough Sheeter, Countertop, One (1) Sets of Rollers, Sheets up to 18" Wide, Up to 600 Pieces Per Hour, Teflon Rollers, Adjustable Roller Gap, Stainless Steel Scraper, Stainless Steel Construction, 1/2 HP Motor, cETLus, ETL-Sanitation**



PROJECT \_\_\_\_\_

ITEM NO. \_\_\_\_\_

NOTES \_\_\_\_\_

MODEL NUMBER: **DL18SP**



**FEATURES**

- Compact Tabletop Design
- Adjustable Roller Gap Range from 1/32" (0.79mm) - 5/32" (3.9mm)
- Able to Handle Up to 18" (457mm) Product
- 1/2 HP Motor

**CONSTRUCTION**

- Stainless Steel Infeed & Chute
- Stainless Steel Scraper for Rollers
- Teflon Rollers
- Sealed Bearings

**OPTIONS & ACCESSORIES**

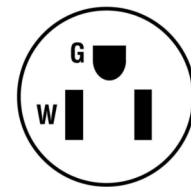
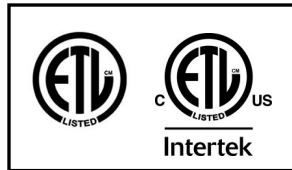
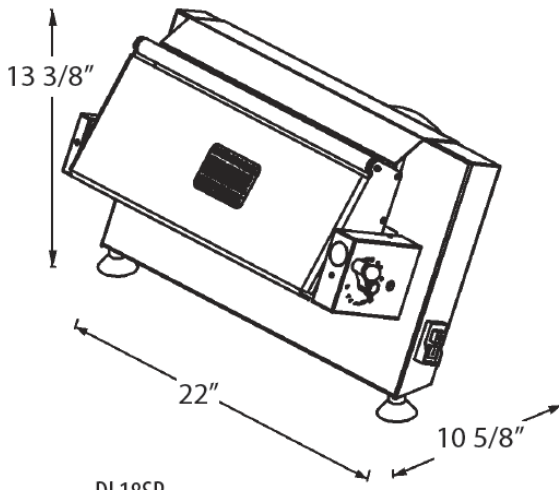
- CSST Conformity Kit for Quebec
- International Electrical Configuration (208-240V/1 Phase)

**RECOMMENDED USAGE**

- To Be Used with Room Temperature Dough
- Dough Products Between 50-60% Hydration
- Not Designed for Fondant or Laminated Dough Products

**WARRANTY**

- One Year Labor & Two Year Parts



Model	Crated Weight	Overall Dimensions			Electrical System						
		W	D	H	Volts	Amps	kW	Hz	Wires	Phase	NEMA
DL18SP	100 (45)	22" (559)	10 5/8" (271)	13 3/8" (340)	120	6	0.7	60	-	1	5-15P
					208	3.4	0.7	50/60	2	1	
					240	3	0.7	50/60	2	1	

